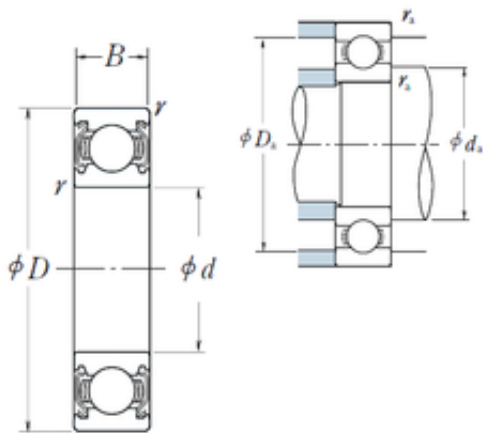




## China abec 7 Bearing Supplier



Japan NSK 6206ZZ 6206DDU 6206RS Deep groove ball bearing rodamiento 6206

Bearing No. 6206ZZ

6206ZZ Bearing 2D drawings and 3D CAD models

Size	30x62x16 mm
Bore Diameter	30 mm
Outer Diameter	62 mm
Width	16 mm
d	30 mm
D	62 mm
B	16 mm
C	16 mm
r min.	1 mm
da min.	35 mm
da max	38,5 mm
Da max.	57 mm
ra max.	1 mm
Weight	0,199 Kg
Basic dynamic load rating (C)	19,5 kN
Basic static load rating (C0)	11,3 kN
(Grease) Lubrication Speed	11 000 r/min
Category	Single Row Ball Bearings
Inventory	0.0
Manufacturer Name	NSK
Minimum Buy Quantity	N/A
Weight / Kilogram	0.09
Product Group	B00308
Enclosure	2 Metal Shields
Precision Class	ABEC 1   ISO P0



## China abec 7 Bearing Supplier

Maximum Capacity / Filling Slot	No
Rolling Element	Ball Bearing
Snap Ring	No
Internal Special Features	No
Cage Material	Steel
Internal Clearance	C0-Medium
Inch - Metric	Metric
Long Description	30MM Bore; 62MM Outside Diameter; 16MM Outer Race Diameter; 2 Metal Shields; Ball Bearing; ABEC 1   ISO P0; No Filling Slot; No Snap Ring; No Internal Special Features
Category	Single Row Ball Bearing
UNSPSC	31171504
Harmonized Tariff Code	8482.10.50.68
Noun	Bearing
Keyword String	Ball
Manufacturer URL	<a href="http://www.nskamericas.com">http://www.nskamericas.com</a>
Manufacturer Item Number	6206ZZ
Weight / LBS	0.199
Outside Diameter	2.441 Inch   62 Millimeter
Bore	1.181 Inch   30 Millimeter
Outer Race Width	0.63 Inch   16 Millimeter
bore diameter:	30 mm
static load capacity:	11300 N
outside diameter:	62 mm
precision rating:	Not Rated
overall width:	16 mm
finish/coating:	Uncoated
bore type:	Round
cage material:	Steel



## China abec 7 Bearing Supplier

closure type:	Double Shielded
outer ring width:	16 mm
row type & fill slot:	Single Row Non-Fill Slot
fillet radius:	1 mm
internal clearance:	C0
maximum rpm:	13000 RPM
operating temperature range:	-10 to +110 ° C
series:	62
dynamic load capacity:	19500 N
SRI	4.81
hidYobi	6206ZZ
LangID	1
D_	62
SREX	0.04
B_	16
da min	35
hidTable	ecat_NSRDGB
SRE	5
mass	0.199
GRS rpm	11000
ra	1
SRIX	0.02
D_a	57
SRIN	0
C0	11.3
fo	13.8
SREN	0
DE_	56.025
Prod_Type3	DGBB_SR_ZZ
DA_	9.525
bomp	0



## China abec 7 Bearing Supplier

Z_	9
yobi	6206ZZ
C_conv	19500
ALPHA_	0
SDM_	46.5
r	1
KBRG	6141
SBRG	2
DI_	36.975